

PURO™

Safety Net

Protection Follows You

Sentry M2

MOBILE UV DISINFECTING UNITS

With the Sentry M2, protection follows you. The Sentry M2 are affordable mobile UV disinfecting units designed for easy positioning and simple control. It emits broad spectrum UV light to eliminate up to 99.9%¹ of the bacteria, viruses and fungi in a space. In rooms that have been cleaned of mold, the unit will help control return growth if used routinely.

The compact units have two UV Light Engines in a lightweight, miniaturized design. Mounted on a wheeled or tripod base, the M2 units have a telescoping neck and adjustable UV head angle for perfect spot treatment where contamination is suspected.

Powered by
Violet Defense™ technology



Lightweight, wheeled base with locking casters and a telescoping neck for easy positioning.



Broad Spectrum UV-C, UV-B, and UV-A Light to kill bacteria and viruses.



Simple single-cycle operation with occupancy detection for safety.



Two UV Light Engines with pulsed Xenon lamp for 170° coverage over 144sf.

Product Specifications

Illumination

Light Source	Proprietary Pulsed Xenon Lamp
Pulse Interval	1 UV Flash every 6 seconds
Wavelengths	UV-C (200-280nm) Germicidal UV-B (280-320nm) Germicidal UV-A (320-400nm) Antibacterial
Range	12' x 12' typical
UV Bulb Rated Life	> 2 Million UV Flashes

Electrical System

Input Voltage	110V AC
Max Current	7 Amps
Total Power	60W per standard, 30 minute cycle
Power Connection	3-prong grounded plug

Physical

Weight	M2-C 53.4 lbs M2-T 14.4 lbs
Housing/Finish	Brushed Aluminum
Optics	Two patented UV Light Engines with transmissive UV lens and Xenon UV lamp
Beam Angle	170°

Environment

Ambient Operating Temperature	41°F to 104°F
Ambient Operating Humidity	<80%RH non-condensing

Certifications

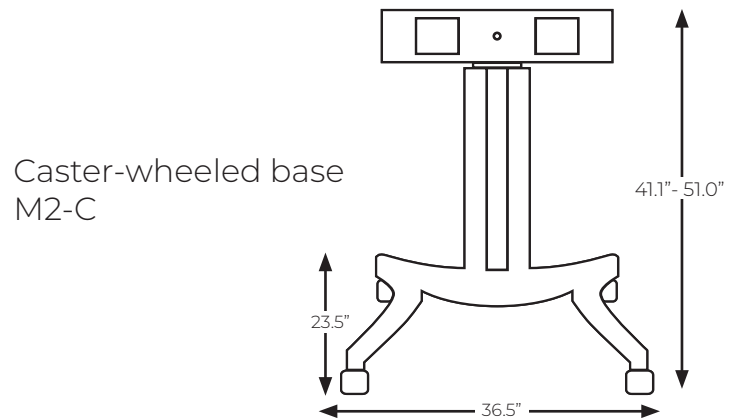
Safety	TUV Certified, tested to UL 61010-1:2012
FCC	Compliant with Part 15 Class A
RoHS	Compliant
FDA	Materials are approved for use in food and medical areas
EPA	Registered

Warranty

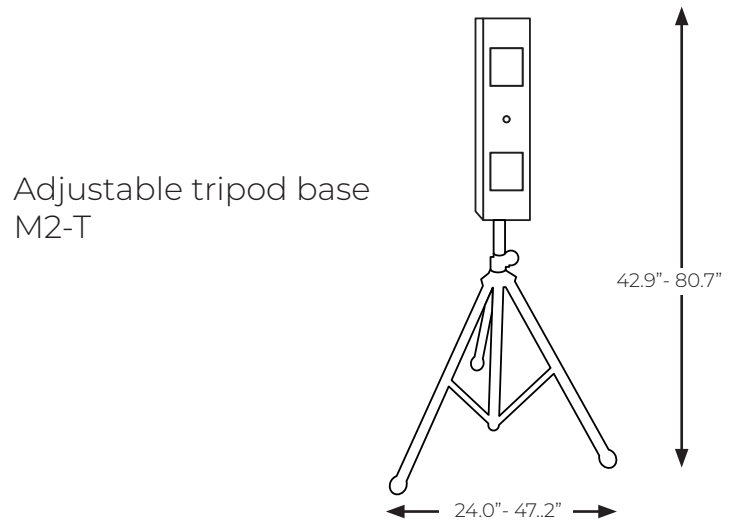
Warranty	1 year
----------	--------

Dimensions

Height: 41.1" – 51.0" Width: 36.5" Depth: 23.5"



Height: 49.9" - 80.07" Width and Depth: 24.0" - 47.2"



Notes

- 1 Disinfection is a function of device run time and the distance to the UV light source.

Single Cycle Operation Mode

The operational mode is programmed through an Ethernet connection to the unit.

This unit will complete a single cycle of 15, 30, 45, or 60 minutes when the unit is plugged in for power. If interrupted, the unit will resume its programmed cleaning cycle once motion is no longer detected.

The units must be programmed before use.

Safety and Occupancy Sensors

The unit's redundant safety systems, including an integrated occupancy sensor, ensures the unit will not activate while the room is occupied and will immediately suspend operations if motion is detected in a previously unoccupied room.

Installation

All units ship with a 6 foot cord terminated with a grounded 110V plug. Plug in the unit after positioning it in the room.

110V Outlet

The unit can be plugged into a non-GFI outlet. If an outlet is not accessible near the fixture location, you may require a sufficiently rated, grounded extension cord or have a licensed electrician to install an outlet.

Certifications



This device is tested and certified by TUV to UL specifications.



Tested to be compliant with FCC Part 15 Class A.

Internal components of this device are UL Listed, UL Recognized or CE listed.

The manufacturer is registered with the US Environmental Protection Agency (EPA). Clinical laboratory testing has been performed at independent labs.



© Copyright 2019 Puro. All Rights Reserved. Puro, the Puro logo, Helo and Sentry are trademarks of Puro. All other trademarks are the property of their respective owners. Specifications are subject to change without notice. This document is for informational purposes only.



Ordering Information

Example: S-M2-C-6-P-110

FAMILY	MODEL	MOUNT	CORD LENGTH	CORD TERMINATION	WATTAGE
S = Sentry	M2 = Mobile Units with two UV Light Engines	C = Locking caster-wheeled base with telescoping neck T = Adjustable tripod with telescoping neck	6 = 6 feet	P = Three-prong grounded plug	110 = 110V AC