



Pressalit 1000 Adjustable Adult Changing Table



PRESSALIT 1000
SKU: R8593118000
EAN: 5708590377667

Convenience & Accessibility

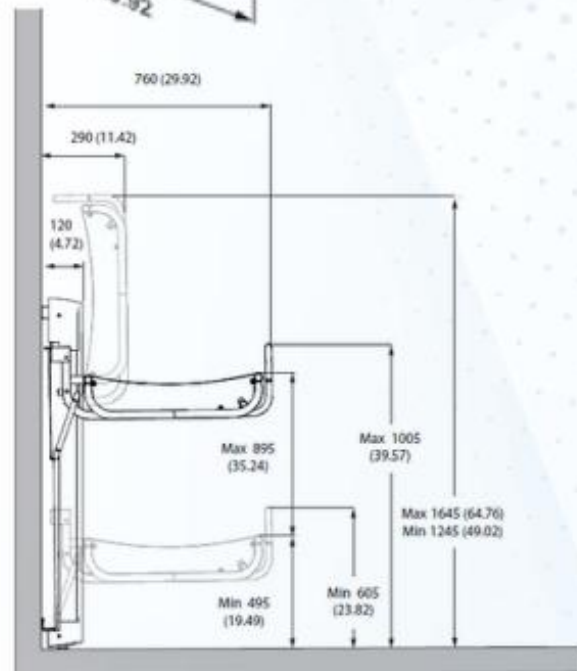
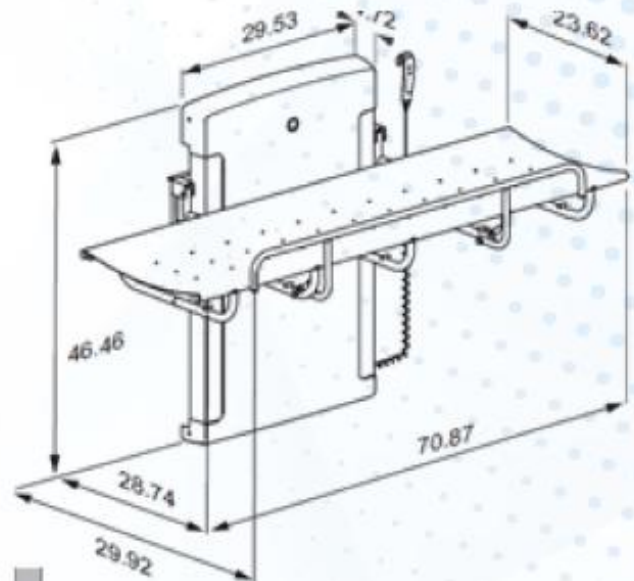
- ✓ Ergonomic, Affordable
- ✓ Powered Adjustment, Wall Mounted, Folding
- ✓ Efficient comfort and safety for user AND caregiver.
- ✓ Accommodates anyone who can't use a toilet.
- ✓ Folds easily to maximize floor space.
- ✓ Permeable mattress surface for air circulation.
- ✓ Includes side rail, safety belt, wired hand control.
- ✓ Retrofit friendly.
- ✓ Anchors to wood blocking, masonry or concrete. Mounting hardware included.
- ✓ Mounting hardware included



Pressalit 1000 Adjustable Adult Changing Table

Go Beyond ADA. Take Abilities to the MAX!!!

- ✓ Product price and shipping discount when purchasing multiple units.
- ✓ Limited five year warranty.
- ✓ Exceptional service since 1993.
- ✓ Complete online pricing and quote requests.
- ✓ Adjusts from 20.5" to 36.25"
- Width: 23.5", Length: 71"
- ✓ Projection from wall:
- Folded: 11", Unfolded: 29"
- ✓ Weight capacity: 441 lbs
- ✓ Delivery: 1-2 weeks
- ✓ Operates at 24v/1amp via 120v wall outlet.
- ✓ Integrated transformer and US 8' power cord included.
- ✓ Linak liquid tight actuator and control system.
- ✓ Noise level: 48 decibel. Whisper quiet.
- ✓ All components, including hand control, are sealed, waterproof.
- ✓ Also available in fixed height and child sizes.



[CLICK HERE FOR MORE RESOURCES](#)

max-ability.com/resources/