



# Pressalit 1000 Fixed Child Changing Table



SKU: R8406000  
EAN: 5708590294810  
Previous version: R8404

## Convenience & Accessibility

- ✓ Ergonomic, Affordable
- ✓ Wall Mounted, Folding
- ✓ Efficient comfort and safety for user AND caregiver.
- ✓ Accommodates anyone who can't use a toilet.
- ✓ Folds easily to maximize floor space.
- ✓ Permeable mattress surface for air circulation.
- ✓ Includes side rail, safety belt.
- ✓ Retrofit friendly.
- ✓ Anchors to wood blocking, masonry or concrete.
- ✓ Mounting hardware included.
- ✓ Expected service life: 10 years (institutional use) with recommended maintenance.

### **MATERIALS:**

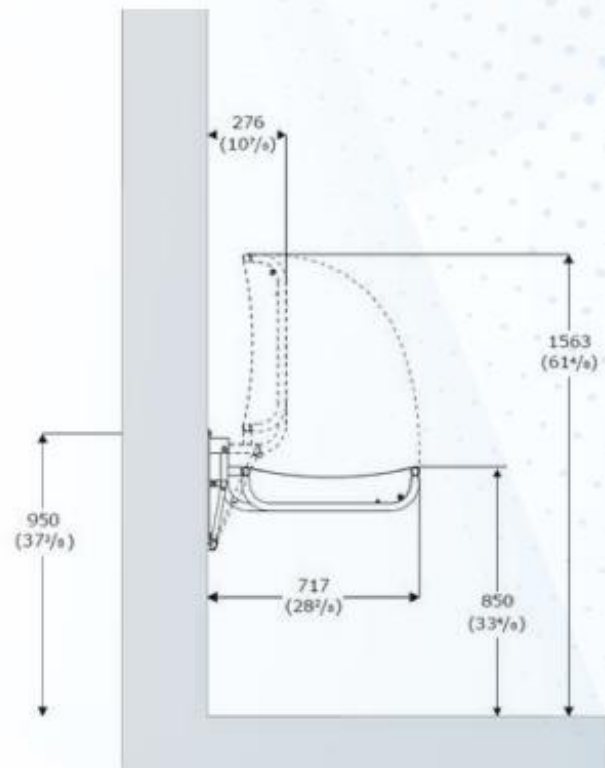
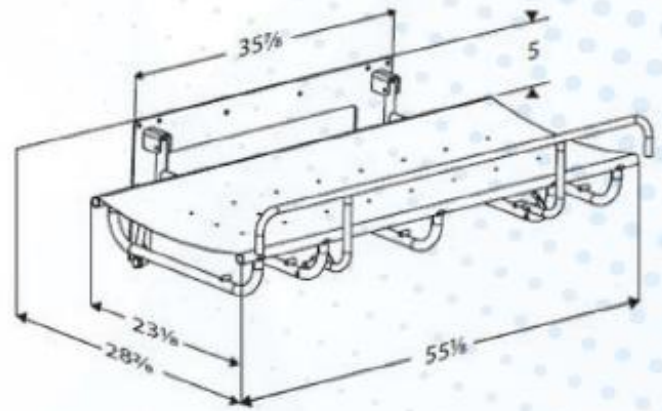
Powder-coated steel and PVC-coated canvas(phthalate free).

Integrated pneumatic cylinders

# Pressalit 1000 Fixed Child Changing Table

## Go Beyond ADA. Take Abilities to the MAX!!!

- ✓ Product price and shipping discount when purchasing multiple units.
- ✓ Limited five year warranty.
- ✓ Exceptional service since 1993.
- ✓ Complete online pricing and quote requests.
- ✓ Width: 23.5"  
Length: 55"  
Projection from wall:  
Folded: 11"  
Unfolded: 29"
- ✓ Maximum user weight (MUM): 386 lbs.
- ✓ When the table is loaded with 386 lbs, each mounting bolt supports 115 lbs.
- ✓ Delivery: 1-2 weeks
- ✓ Also available in adjustable height and adult sizes.



[CLICK HERE FOR MORE RESOURCES](#)

[max-ability.com/resources/](http://max-ability.com/resources/)