

Pressalit 2000/2100 Fixed Height Changing Table



MODEL 2000

Mesh mattress cover
SKU: R8425218000
EAN: 5708590372167

MODEL 2100

Coated canvas mattress
SKU: R8591418000
EAN: 5708590372174

Convenience & Accessibility

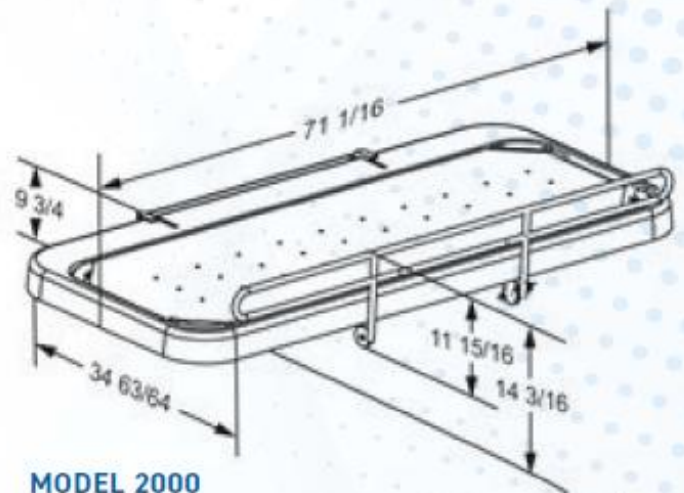
- ✓ Ideal Incontinence/Bathing Care
- ✓ Wall Mounted, Folding, Space Saver
- ✓ Receiver tray captures fluids.
- ✓ Efficient comfort and safety for user AND caregiver.
- ✓ Accommodates anyone who can't use a toilet.
- ✓ Folds easily to maximize floor space.
- ✓ Comfortable, supple, removable mattress.
- ✓ Includes side rail, safety belt.
- ✓ Powder-lacquered stainless steel frame.
- ✓ Pneumatic cylinders for easy folding.
- ✓ Suitable for use with hand-held shower. (Not intended for shallow bathing. Keep mattress in place while in use.)
- ✓ PVC (phthalate-free) pliable mattress. Choose:
 - Machine-washable mesh cover. (Model 2000)
 - Coated canvas for easy wipe-ups. (Model 2100)
- ✓ Expected service life: 10 years (institutional use) with recommended maintenance.

Retrofit friendly.
Anchors to wood blocking, masonry or concrete.
Mounting hardware included.

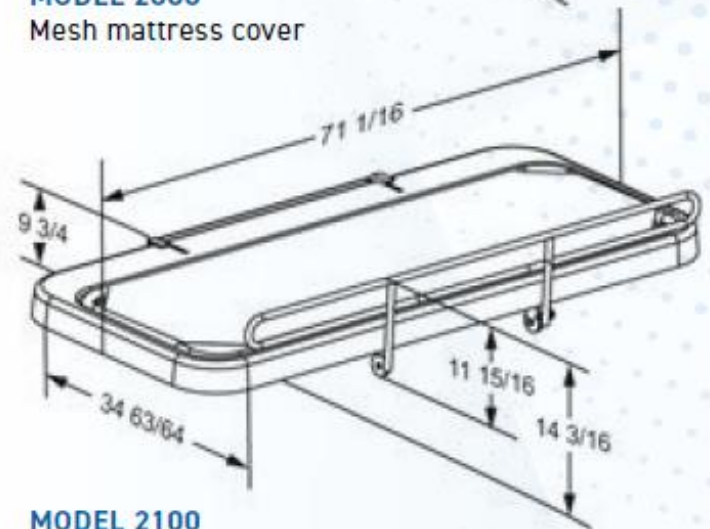
Pressalit 2000/2100 Fixed Height Changing Table

Go Beyond ADA. Take Abilities to the MAX!!!

- ✔ Product price and shipping discount when purchasing multiple units.
- ✔ Limited five year warranty.
- ✔ Exceptional service since 1993.
- ✔ Complete online pricing and quote requests.
- ✔ Table: 32.25" wide x 71" long
Projection from wall:
 - Folded: 9.5"
 - Unfolded: 34.5"
- ✔ Weight capacity: 385 lbs
- ✔ Delivery: 1-2 weeks
- ✔ Also available in adjustable height



MODEL 2000
Mesh mattress cover



MODEL 2100
Coated canvas mattress

[CLICK HERE FOR MORE RESOURCES](#)

max-ability.com/resources/