



Pressalit 3000 Adjustable Adult Changing Table



GRAPHITE GRAY MATTRESS:

SKU: R8592318301

EAN: 5708590374161

Previous version: R8520,
R8539

SAPPHIRE BLUE MATTRESS:

SKU: R8592318299

EAN: 5708590374154

Previous version: R8520,
R8539

(special order – allow
4-6weeks for delivery)

Retrofit friendly.

Anchors to wood blocking, masonry or concrete.

Mounting hardware included.

Convenience & Accessibility

- ✔ More Features Than Any Other Changing Table
- ✔ Powered Adjustment, Wall Mounted, Folding
- ✔ Maximum comfort and safety for user AND caregiver.
- ✔ Newly improved folding mechanism with smoother, safer action.
- ✔ Heavy-duty aluminum frame. Pneumatic counter balance.
- ✔ Suitable for use with hand-held shower.
- ✔ Removable durable 3-piece polyurethane foam mattress.
- ✔ Powder-lacquered stainless steel mounting bracket and anchors.
- ✔ Expected service life: 10 years (institutional use) with recommended maintenance.
- ✔ Accommodates anyone who can't use a toilet.
- ✔ Soft, comfortable, removable mattress.
- ✔ Receiver tray captures fluids.
- ✔ Includes side rail, safety belt, wired hand control.

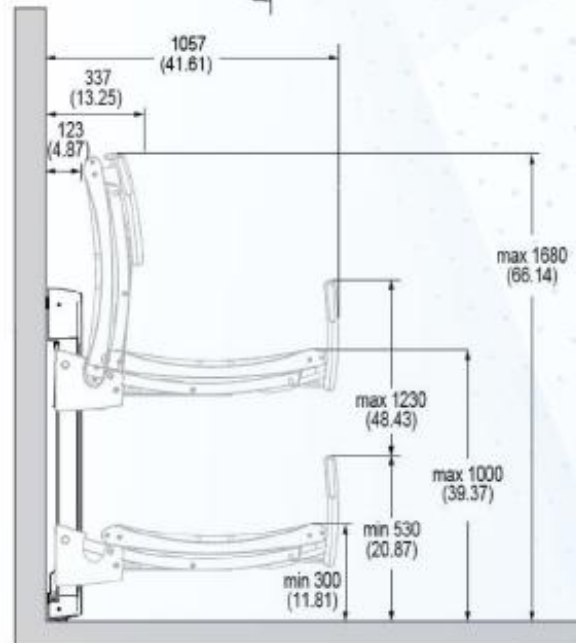
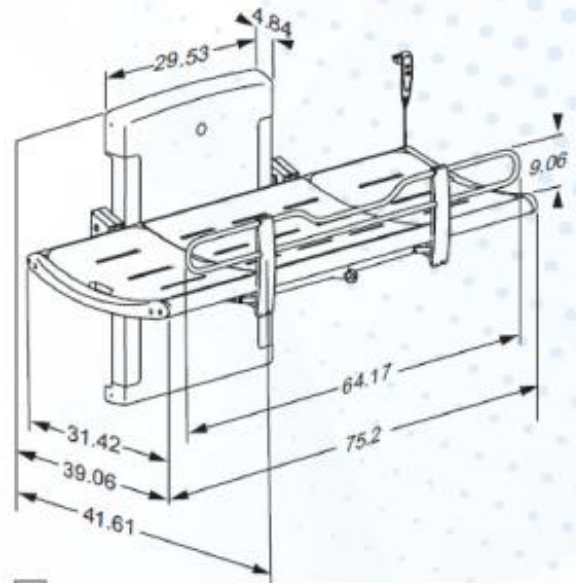


Pressalit 3000

Adjustable Adult Changing Table

Go Beyond ADA. Take Abilities to the MAX!!!

- ✓ Product price and shipping discount when purchasing multiple units.
- ✓ Limited five year warranty.
- ✓ Exceptional service since 1991.
- ✓ Complete online pricing and quote requests.
- ✓ Table: 31" wide x 75.25" long
Projection from wall:
- Folded: 13.25" - Unfolded: 39"
- ✓ Adjusts from 12" to 39.5"
- ✓ Weight capacity: 500 lbs
- ✓ Delivery: 1-2 weeks (Graphite Gray);
4-6 weeks (Sapphire Blue: special order)
- ✓ Operates at 24v/1amp via 120v wall outlet.
- ✓ Integrated transformer and US 8' power cord included.
- ✓ Linak liquid tight actuator and control system.
- ✓ Noise level: 48 decibel. Whisper quiet.
- ✓ All components, including hand control, are sealed, waterproof.
- ✓ Also available in fixed height and child sizes.



[CLICK HERE FOR MORE RESOURCES](#)

max-ability.com/resources/