



Pressalit 3000 Fixed Adult Changing Table



GRAPHITE GRAY MATTRESS:

SKU: R8435318301

EAN: 5708590374048

Previous version: R8523,
R8503

SAPPHIRE BLUE MATTRESS:

SKU: R8435318299

EAN: 5708590374031

Previous version: R8523,
R8503

(special order – allow
4-6 weeks for delivery)

Retrofit friendly.
Anchors to wood blocking, masonry or concrete.
Mounting hardware included.

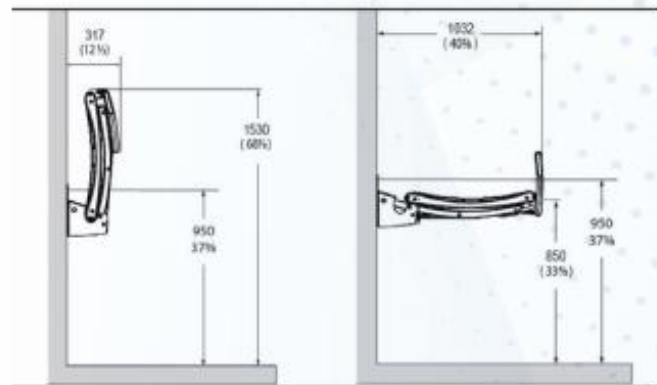
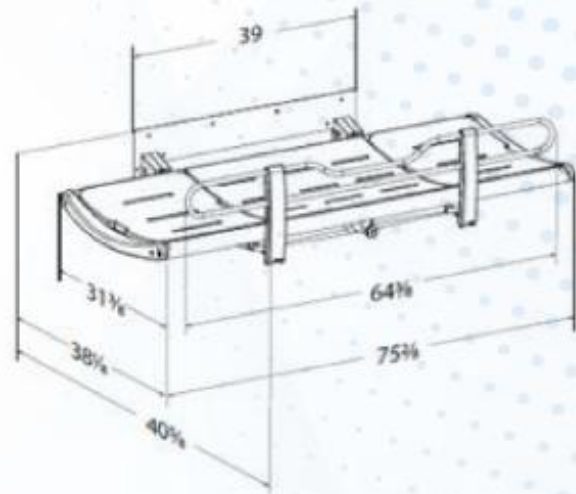
Convenience & Accessibility

- ✓ More Features Than Any Other Changing Table
- ✓ Wall Mounted, Folding, Space Saving
- ✓ Maximum comfort and safety for user AND caregiver.
- ✓ Newly improved folding mechanism with smoother, safer action.
- ✓ Heavy-duty aluminum frame.
- ✓ Pneumatic counter balance.
- ✓ Suitable for use with hand-held shower.
- ✓ Removable durable 3-piece polyurethane foam mattress.
- ✓ Powder-lacquered stainless steel mounting bracket and anchors.
- ✓ Expected service life: 10 years (institutional use) with recommended maintenance.
- ✓ Accommodates anyone who can't use a toilet.
- ✓ Soft, comfortable, removable mattress
- ✓ Receiver tray captures fluids.
- ✓ Includes side rail, safety belt.

Pressalit 3000 Fixed Adult Changing Table

Go Beyond ADA. Take Abilities to the MAX!!!

- ✓ Product price and shipping discount when purchasing multiple units.
- ✓ Limited five year warranty.
- ✓ Exceptional service since 1993.
- ✓ Complete online pricing and quote requests.
- ✓ Table: 31" wide x 75.25" long
Projection from wall:
 - Folded: 13.25"
 - Unfolded: 39"
- ✓ Maximum user weight (MUM): 441 lbs.
- ✓ When the table is loaded with 441 lbs, each mounting bolt supports 132 lbs.
- ✓ Delivery: 1-2 weeks (Graphite Gray);
- ✓ 4-6 weeks (Sapphire Blue: special order)
- ✓ Also available in adjustable height and child sizes.



[CLICK HERE FOR MORE RESOURCES](#)

max-ability.com/resources/